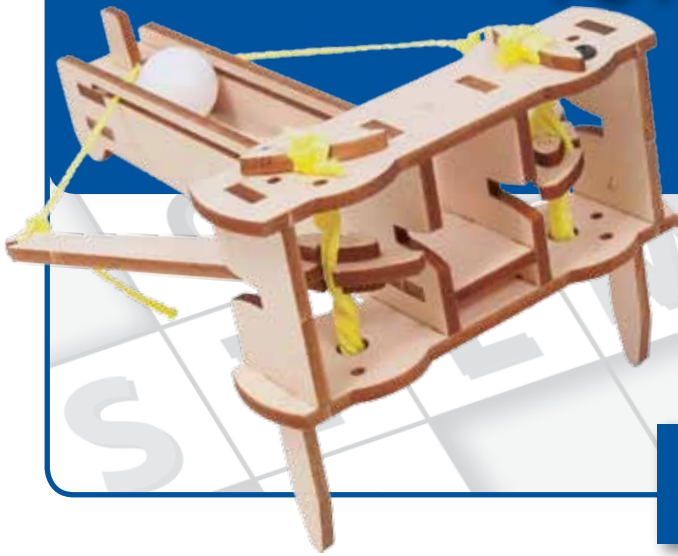


Torsion Ballista Kit

10 Pack

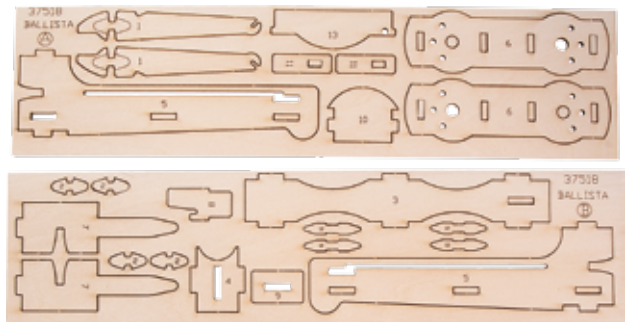
User Guide



PITSCO
E D U C A T I O N

The Torsion Ballista 10 Pack is bulk packed to save you money. As such, you need to divide the class pack into 10 individual kits. To do this, follow the instructions below. If anything is missing from your class pack, please contact Customer Service at 800-358-4983.

1. Take all items from the box, removing any that are in plastic bags. You should have:
 - 50 feet of nylon twine
 - 40 small screws
 - 10 laser-cut basswood sheets labeled A
 - 10 laser-cut basswood sheets labeled B
 - 20 foam balls
 - 10 paper clips
 - Torsion Ballista User Guide
2. Cut the nylon twine into five-foot pieces. Make 10 separate piles, each with one piece of twine.
3. In each pile, place four small screws.
4. Place one basswood sheet labeled A into each pile. Repeat this with the basswood sheets labeled B.
5. Sort two foam balls into each pile.
6. Place one paper clip into each pile. The piles should each look like the photo at right.
7. You can photocopy the kit user guide if you want one for every student. If so, add one to each pile. Otherwise, use the included user guide to help lead the activity in the class, passing it around to students if needed.
8. Place each pile in a bag, box, or another container to keep the parts together until they are used in class.
9. Distribute kits to students at the appropriate time and follow all the instructions – including safety instructions – in the Torsion Ballista Kit User Guide.



PITSCO
E D U C A T I O N

P.O. Box 1708 • Pittsburg, KS 66762
shop.pitsco.com
Toll-Free Orders 800-835-0686

Torsion Ballista 10 Pack User Guide 60014 V0412