

Lil' Termite Sander

User Guide



Safety

- Plug the power supply into 110-120V AC only.
- Make sure the conductor wires from the power supply transformer to the sander are not damaged or exposed.
- The sander is for sanding wood only.
- When using the sander, keep fingers away from the rotating sanding platen.
- Wear eye protection.

Changing the sanding disk/emptying the dust

1. Unplug the sander.
2. Using a #1 Phillips screwdriver, remove the sanding table screw from the location shown in Figure 1.
3. Pull the sanding table so that it rotates on the screw as shown in Figure 2.
4. Turn the sander over a waste basket and shake out the dust.
5. Peel away the worn disk. Wipe the sanding platen clean with alcohol.
6. Peel the backing from a new sanding disk and center on the platen. Press firmly to the platen.
7. Move the sanding table back and reinsert the screw.

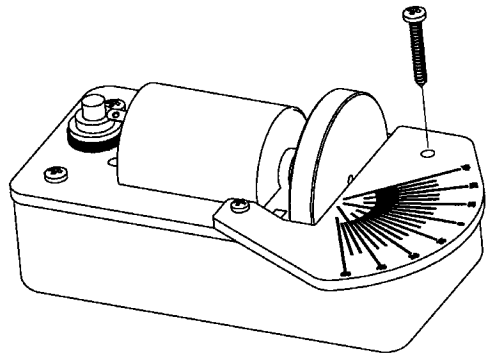


Figure 1

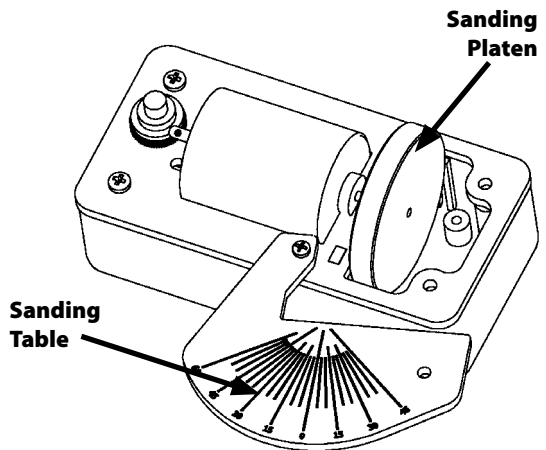


Figure 2

Using the sander

1. Plug in the power supply and put on safety glasses.
2. Mark the angle on the material you want to sand.
3. Push the On/Off button to turn on the sander. (See Figure 3.)
4. Place your material on the sanding table and align it with the correct angle mark.
5. Carefully push your material into the sandpaper. Do not force the material as you may cause the sander motor to stop. Push your material into the sander until you reach the mark. See Figure 3.
6. Turn off the sander.

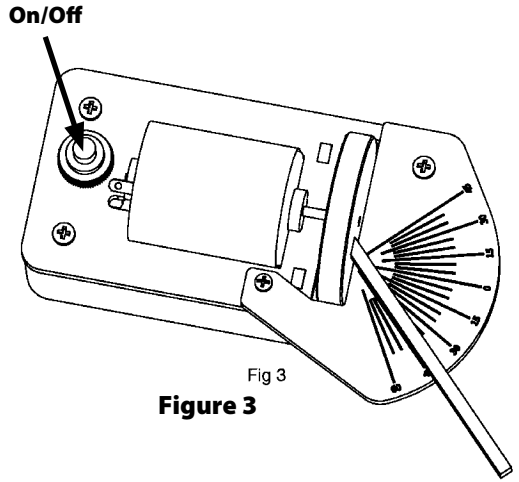


Figure 3

Cleaning the sanding disk

When the sanding disk is filled with dust, clean it by turning on the sander and lightly pushing the sanding disk cleaner (Figure 4) across the disk.

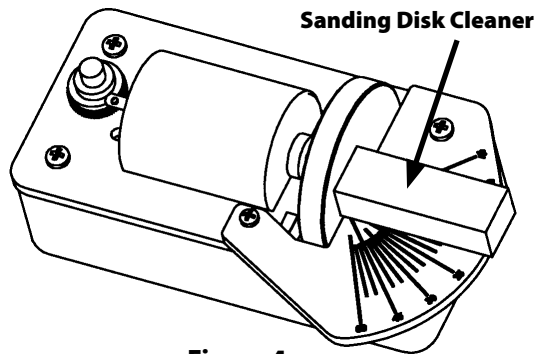


Figure 4

PITSCO

E D U C A T I O N

P.O. Box 1708 • Pittsburg, KS 66762

www.pitsco.com

Toll-Free Orders 800-835-0686