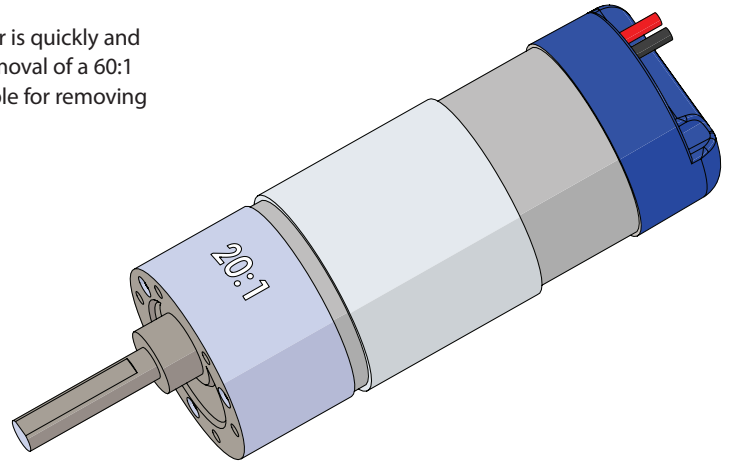
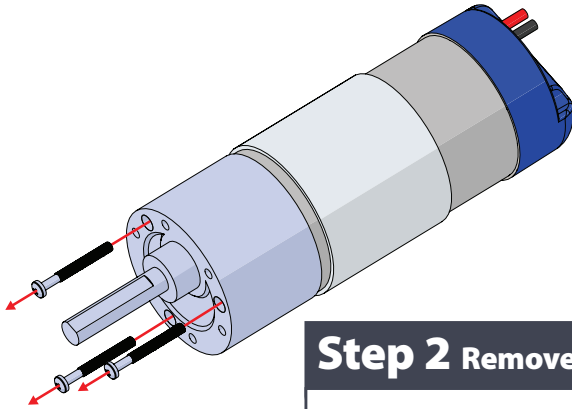


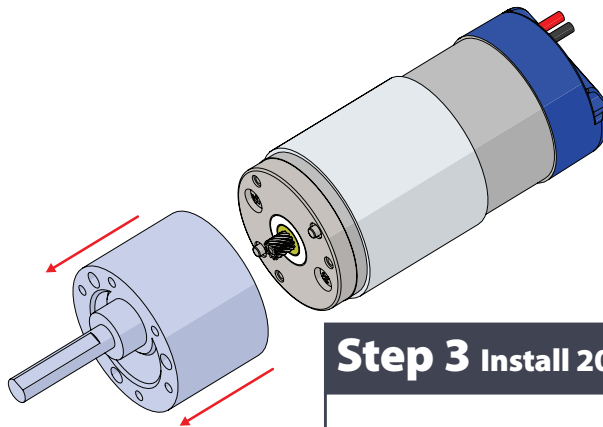
TETRIX[®] MAX TorqueNADO[®] Motor Gearbox Removal and Installation


Removing and installing gearboxes for the TETRIX MAX TorqueNADO Motor is quickly and easily accomplished. For demonstration purposes, Steps 1-3 outline the removal of a 60:1 gearbox and installation of a 20:1 gearbox, but the steps are interchangeable for removing and installing any combination of TorqueNADO gearboxes.

Step 1 Remove Screws



Step 2 Remove 60:1 Gearbox



 **Tip:** Please note the location of the alignment pins on the motor body. The pins function to make sure the gearbox is aligned and meshed correctly with the helical output gear on the motor body. If the gearbox is not flush against the motor body, check that you have the gearbox situated to match not only the screw holes but also the alignment pins.

Step 3 Install 20:1 Gearbox

