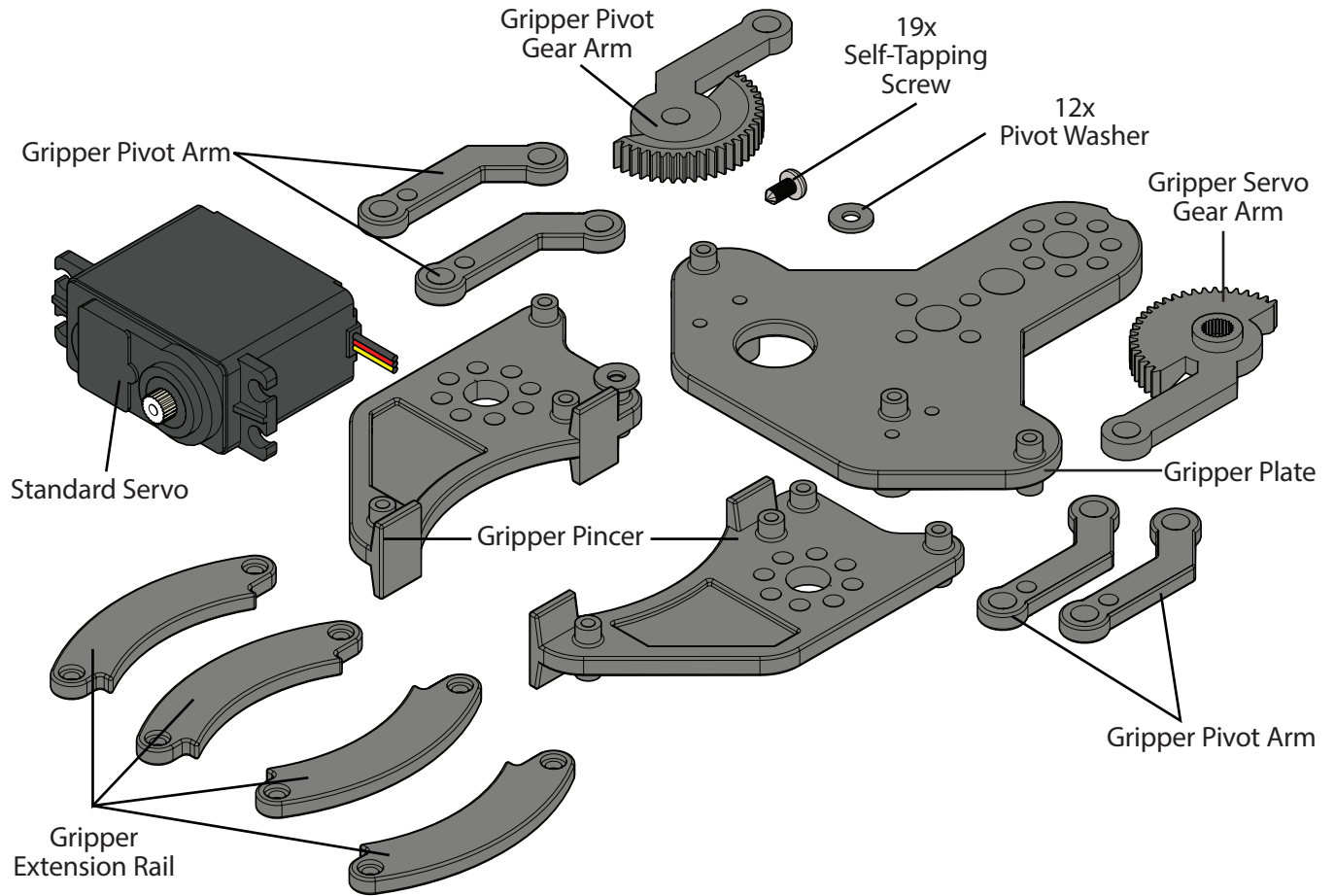
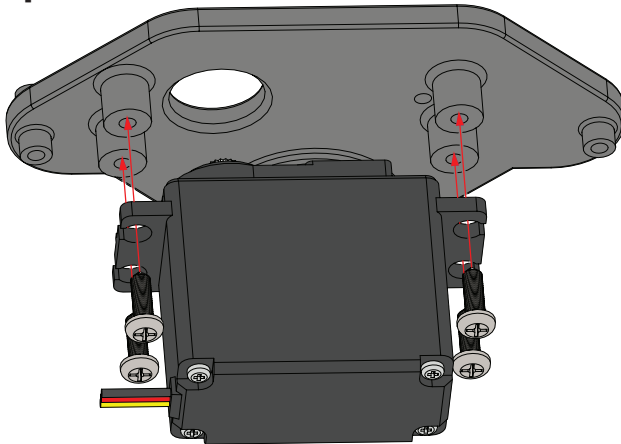


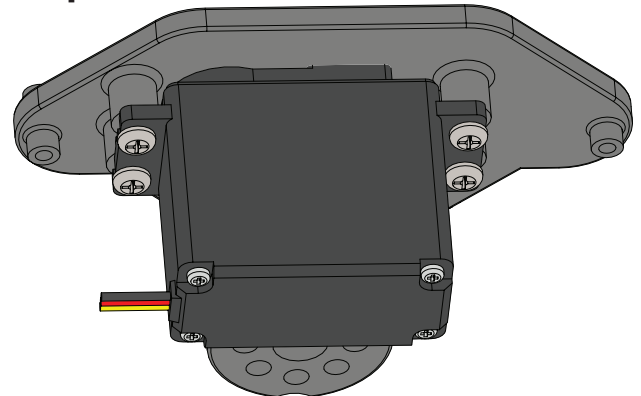
TETRIX® MAX Gripper Kit Assembly



Step 1

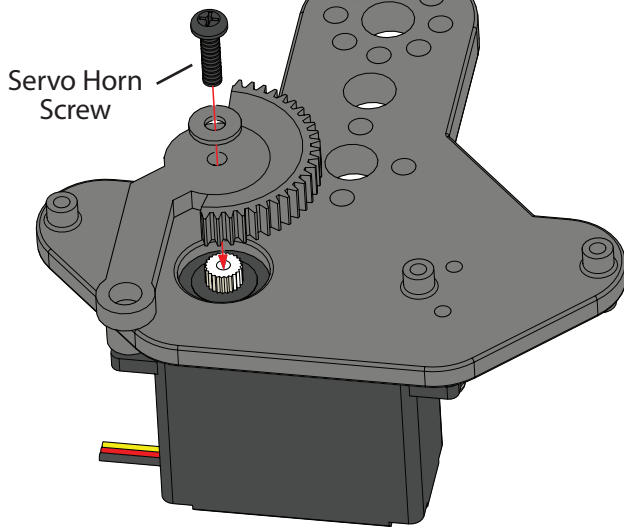


Step 2

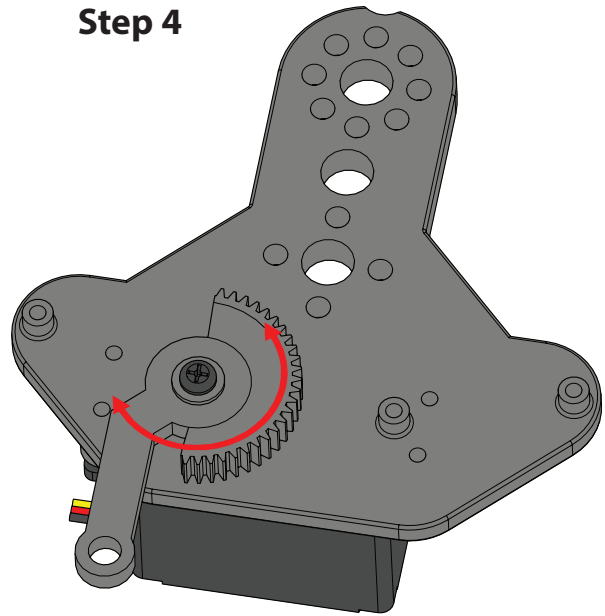


IMPORTANT: Before attaching the right gripper gear arm to the standard servo, attach the standard servo to the gripper plate. For proper gear position alignment as shown in the following steps, it is important to make sure that the servo is centered in its range of motion before attaching the gear arm. One method of doing this is to connect the standard servo to the wireless joystick gamepad system and position the servo motor to the neutral position (center joystick). If the wireless joystick gamepad system is not available, an alternate method to use servos with mechanical stops would be to move the servo shaft to the halfway point between the stops. Instructions on assembly of TETRIX MAX parts can also be found at Pitsco.com/TETRIX.

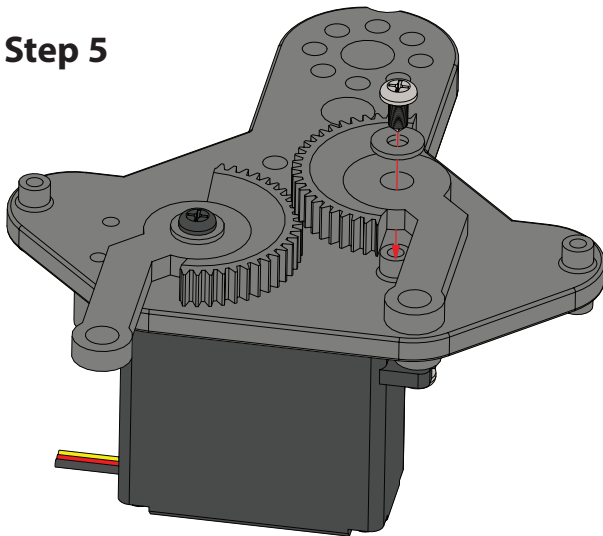
Step 3



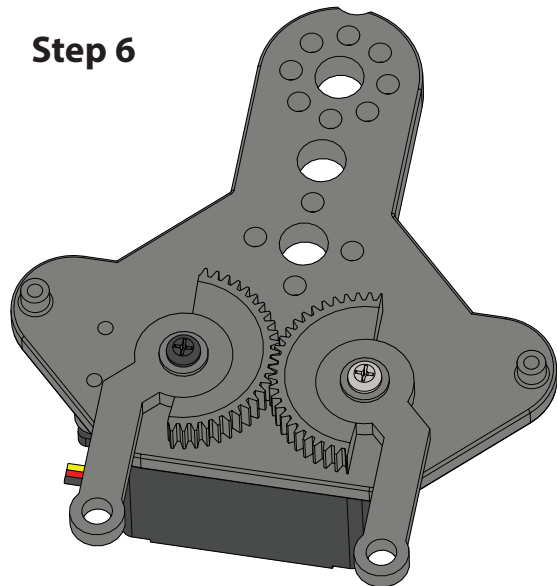
Step 4



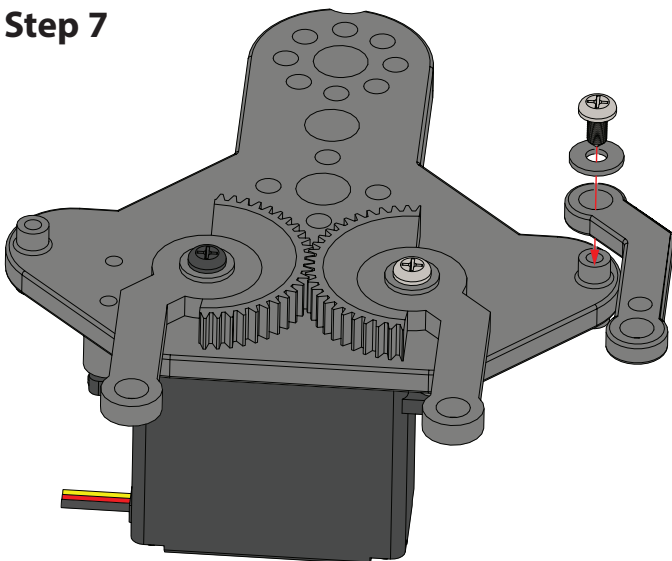
Step 5



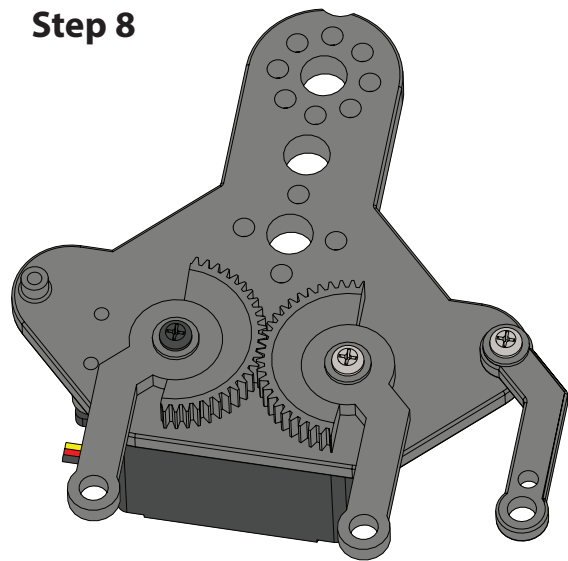
Step 6



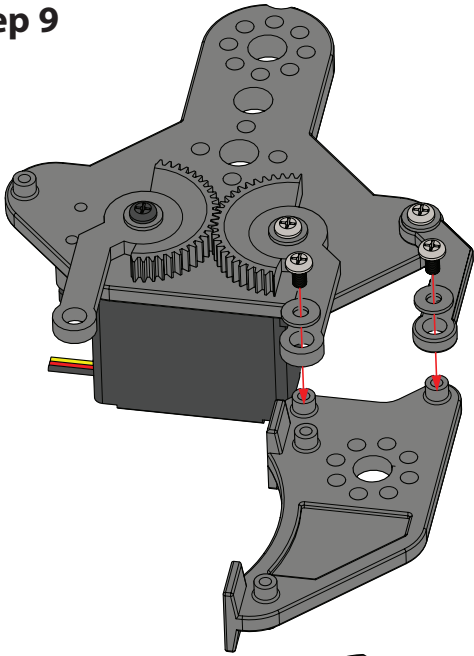
Step 7



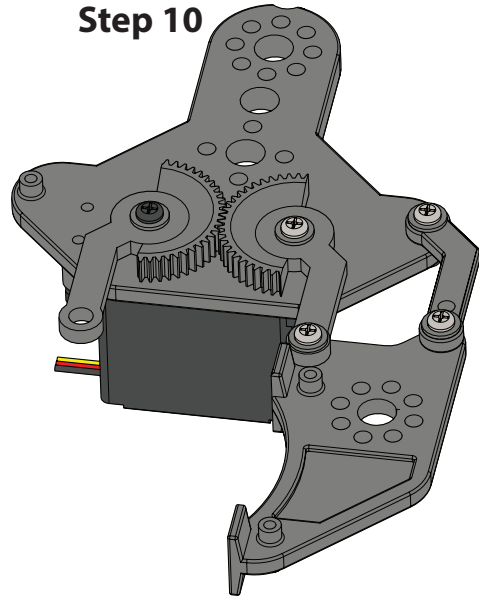
Step 8



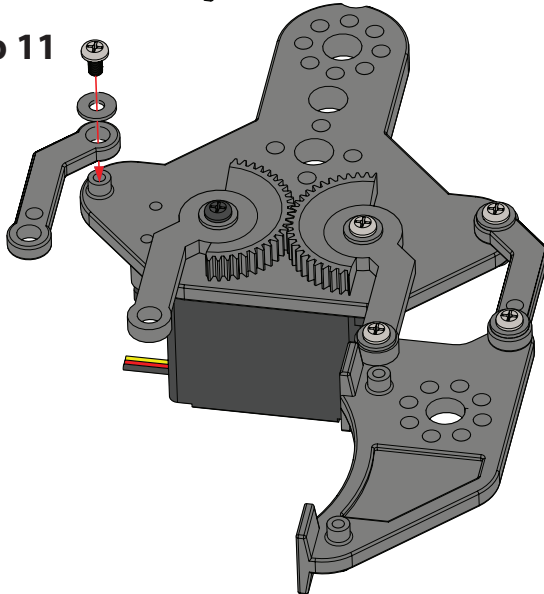
Step 9



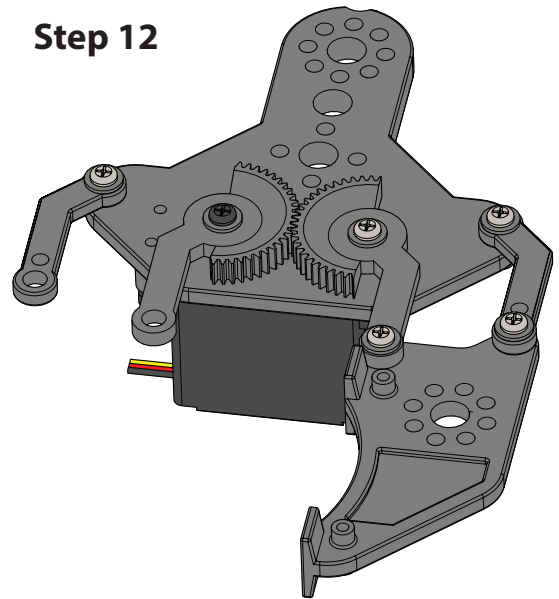
Step 10



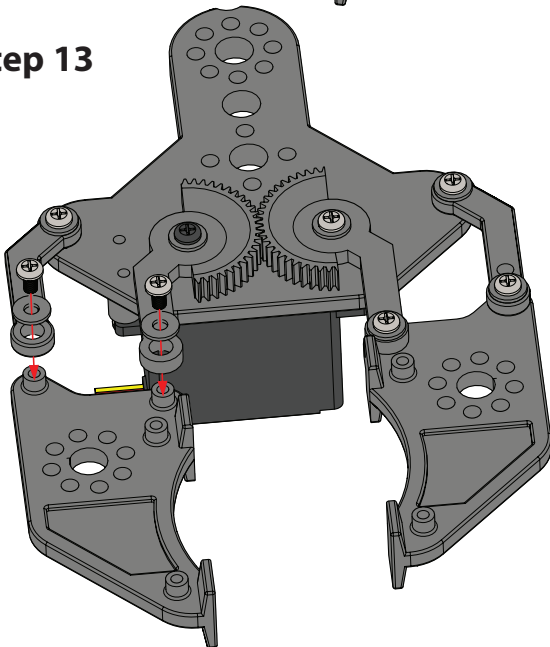
Step 11



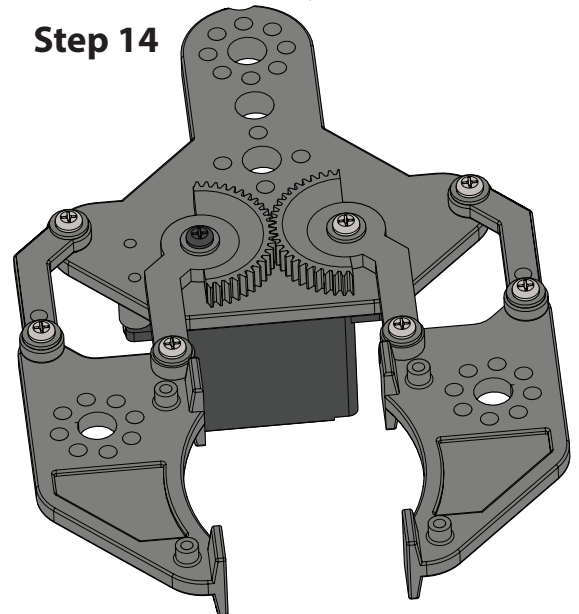
Step 12



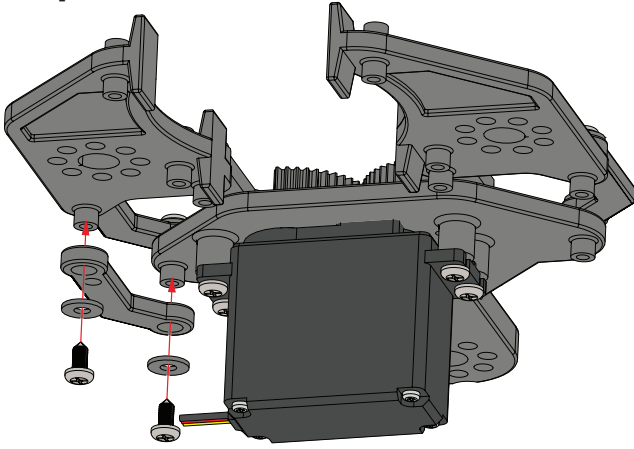
Step 13



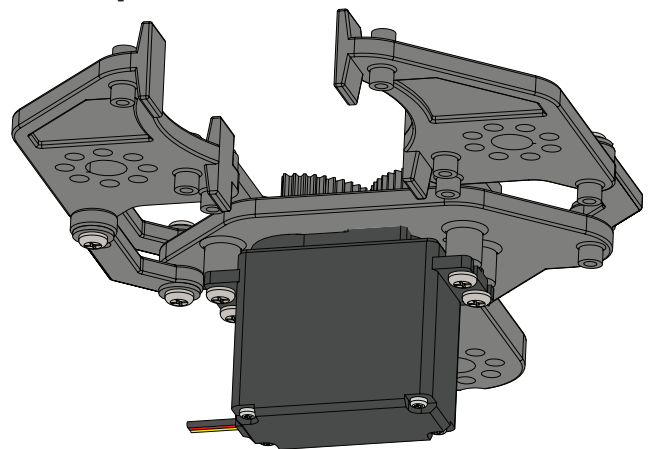
Step 14



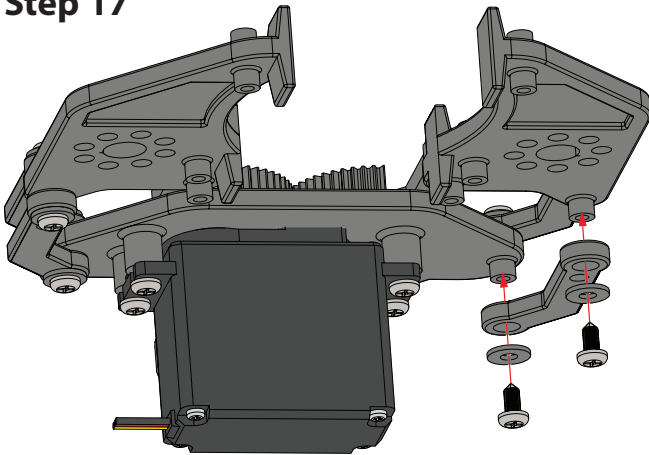
Step 15



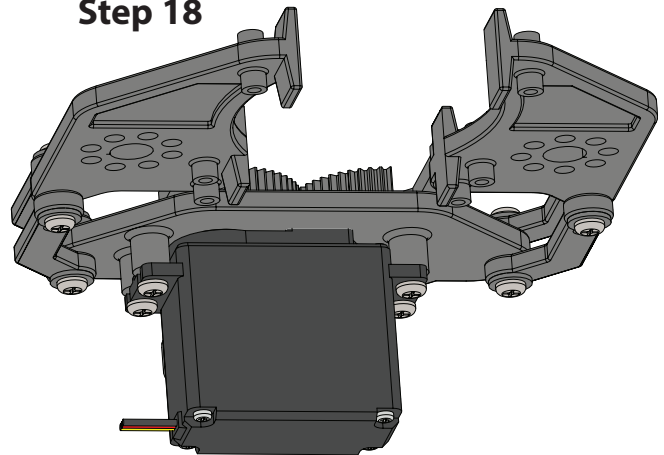
Step 16



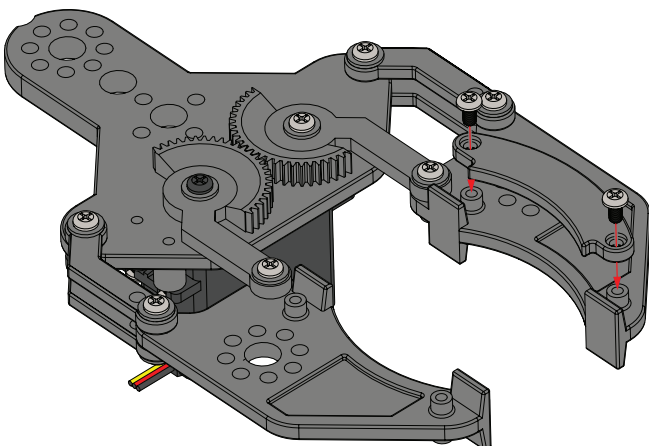
Step 17



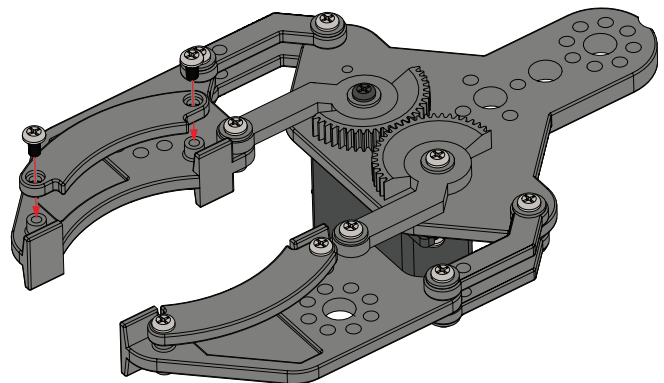
Step 18



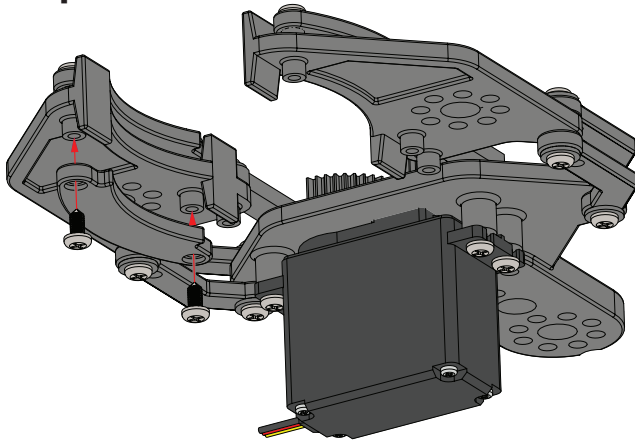
Step 19



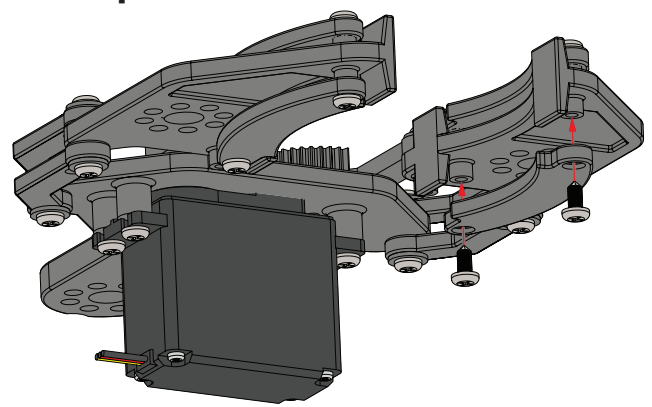
Step 20



Step 21



Step 22



Finished Assembly

