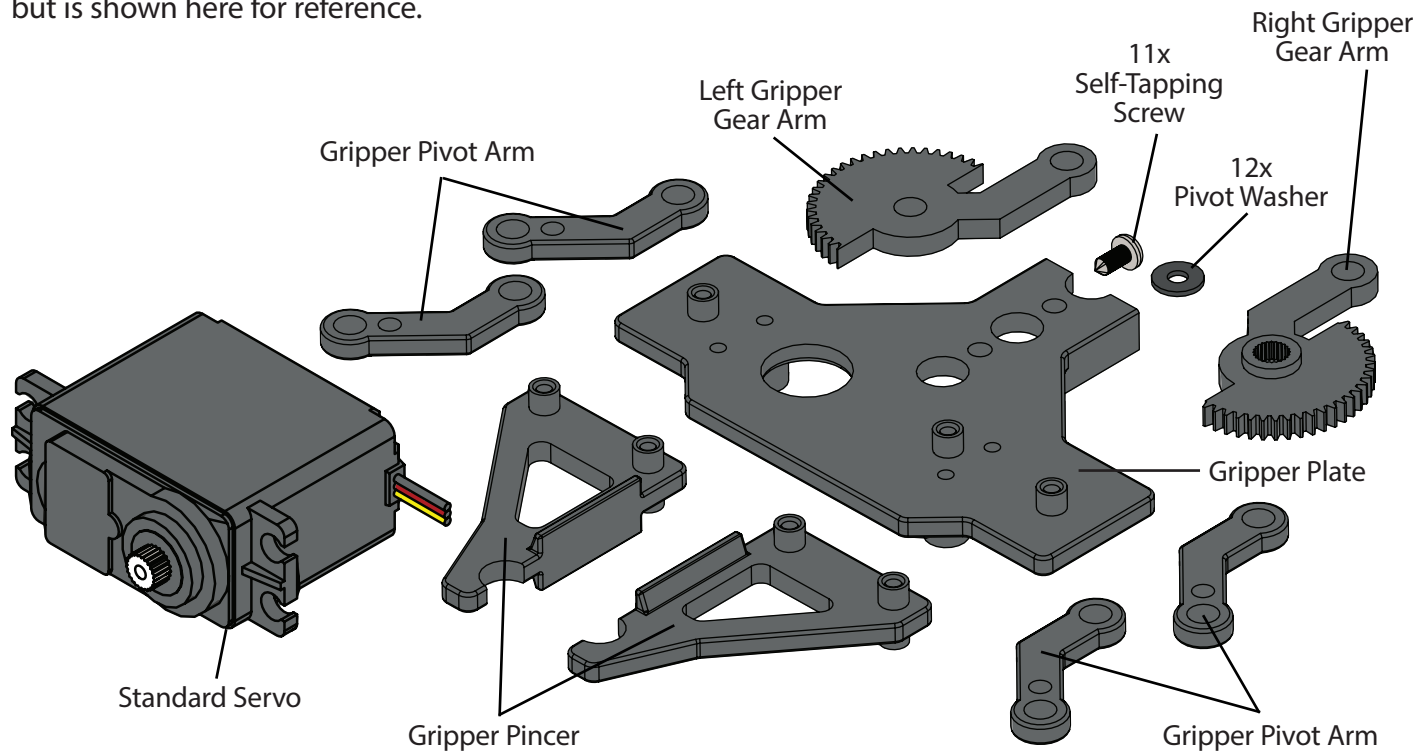
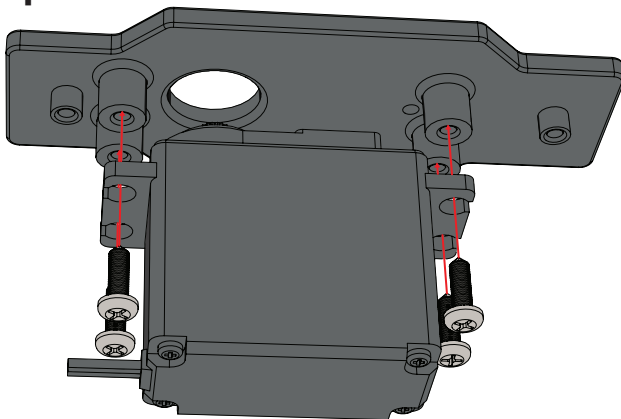


Gripper Assembly

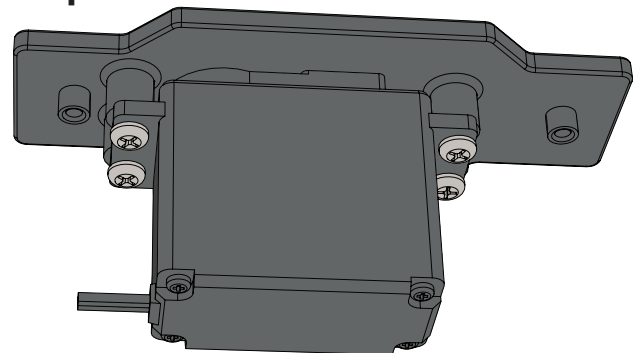
The gripper kit is included with the TETRIX PRIME R/C Robotics Set but is shown here for reference.



Step 1

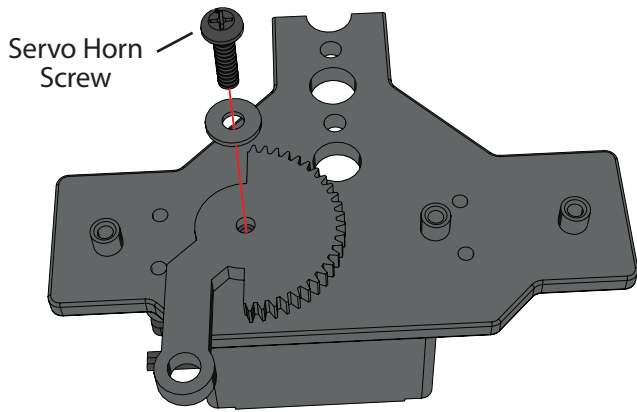


Step 2

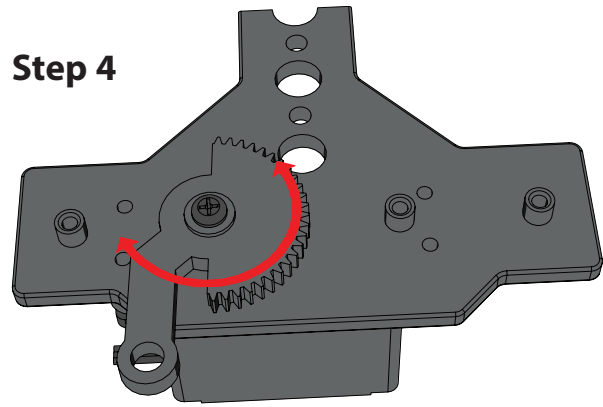


IMPORTANT: Before attaching the right gripper gear arm to the standard servo, attach the standard servo to the gripper plate. Then, connect the standard servo to the wireless joystick gamepad system and position the servo motor to the neutral position (center joystick) for proper gear position alignment as shown in the following steps. Instructions on assembly of TETRIX PRIME parts can also be found at Pitsco.com/TETRIX.

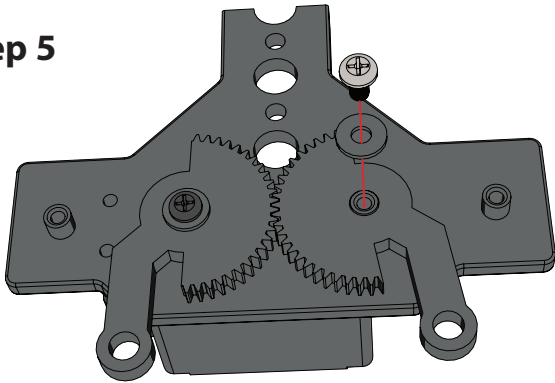
Step 3



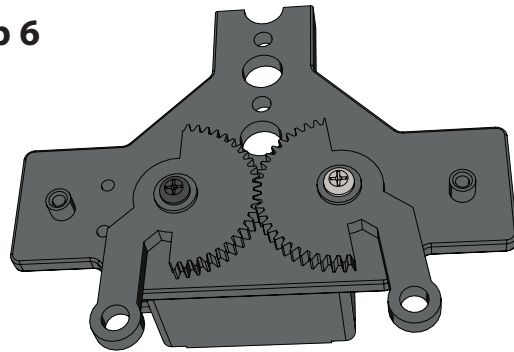
Step 4



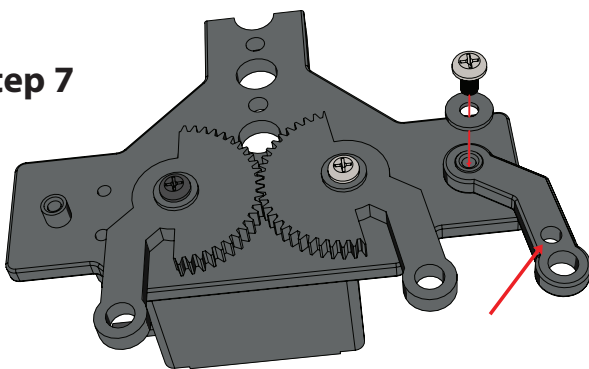
Step 5



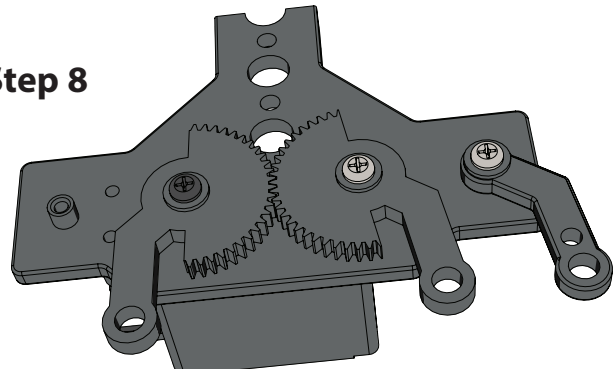
Step 6



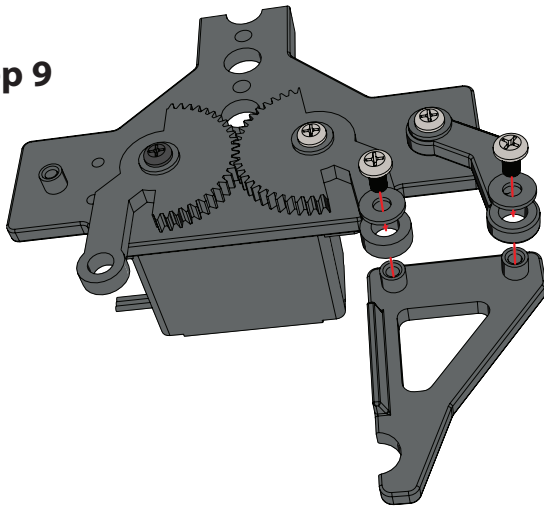
Step 7



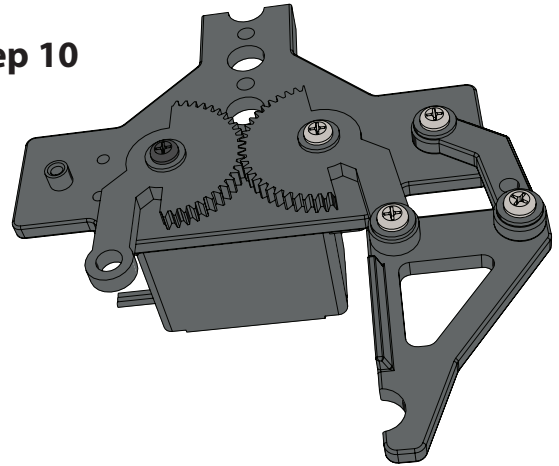
Step 8



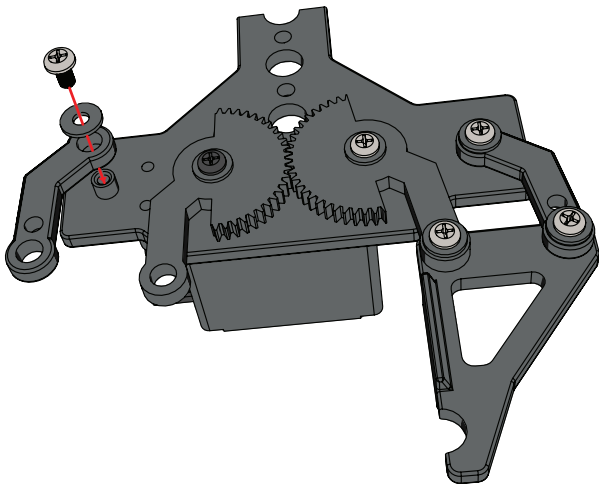
Step 9



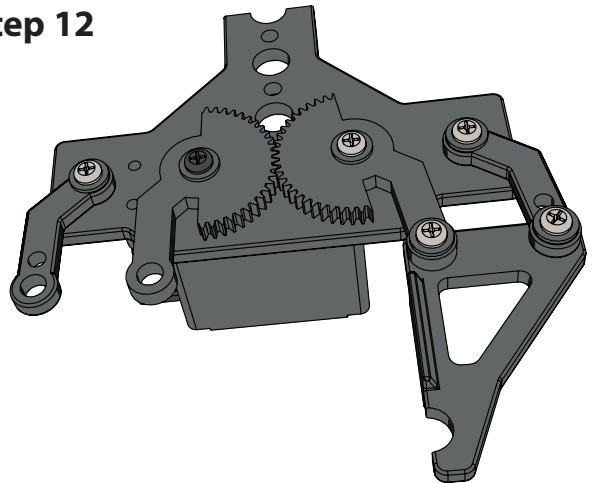
Step 10



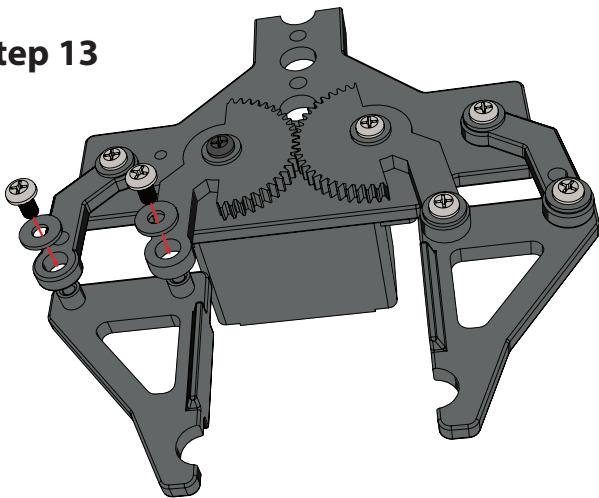
Step 11



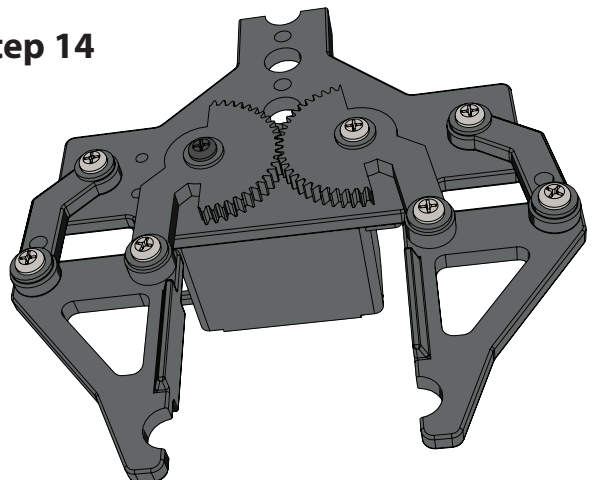
Step 12



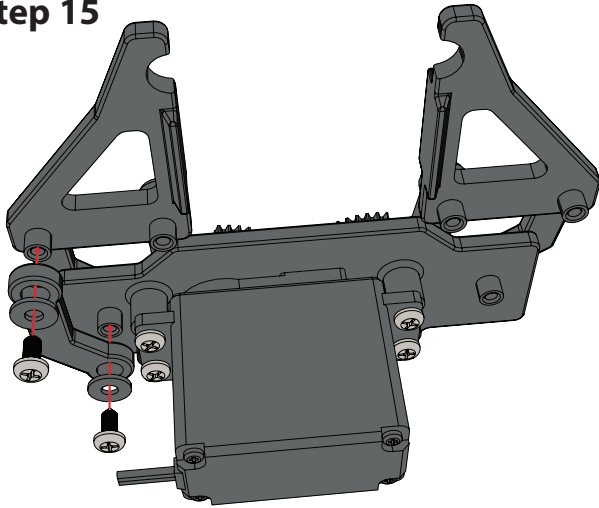
Step 13



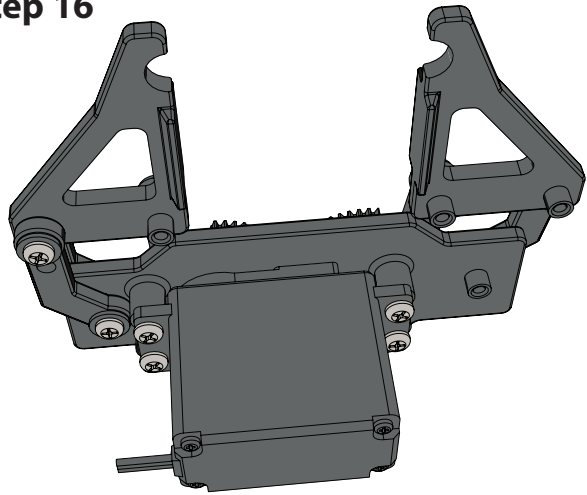
Step 14



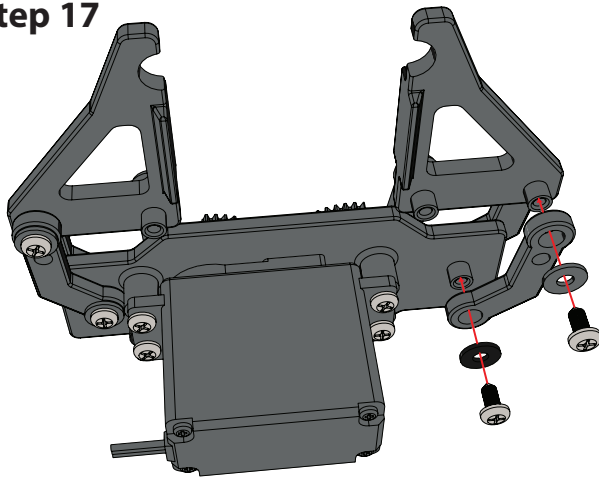
Step 15



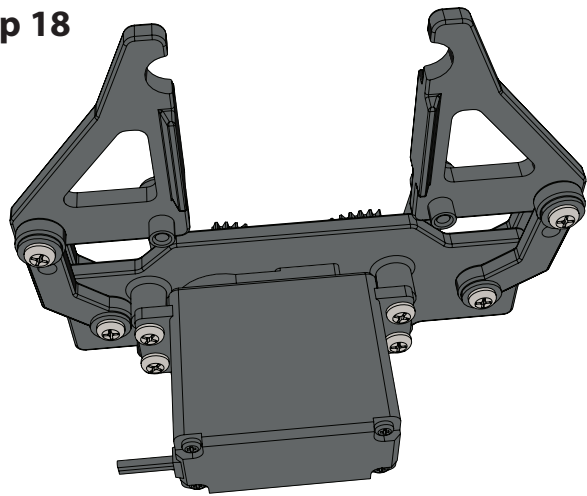
Step 16



Step 17



Step 18



Finished Assembly

